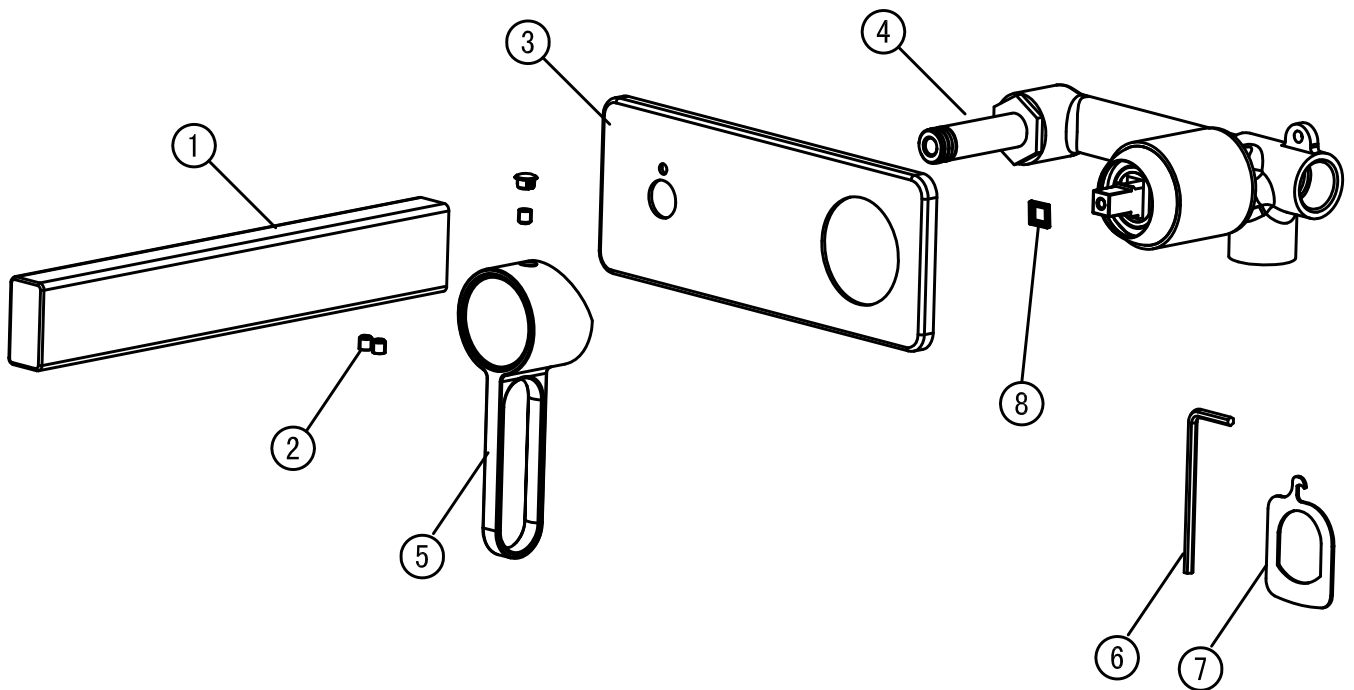


## INSTALLATION INSTRUCTION

### SINGLE LEVER CONCEALED WASHBASIN MIXER



Code	The Accessory List	Quantity
1	Spout	1
2	Screw	2
3	Welding plate	1
4	Main body	1
5	Handle	1
6	Aerator wrench	1
7	Allen key	1
8	white plastic pad	1

