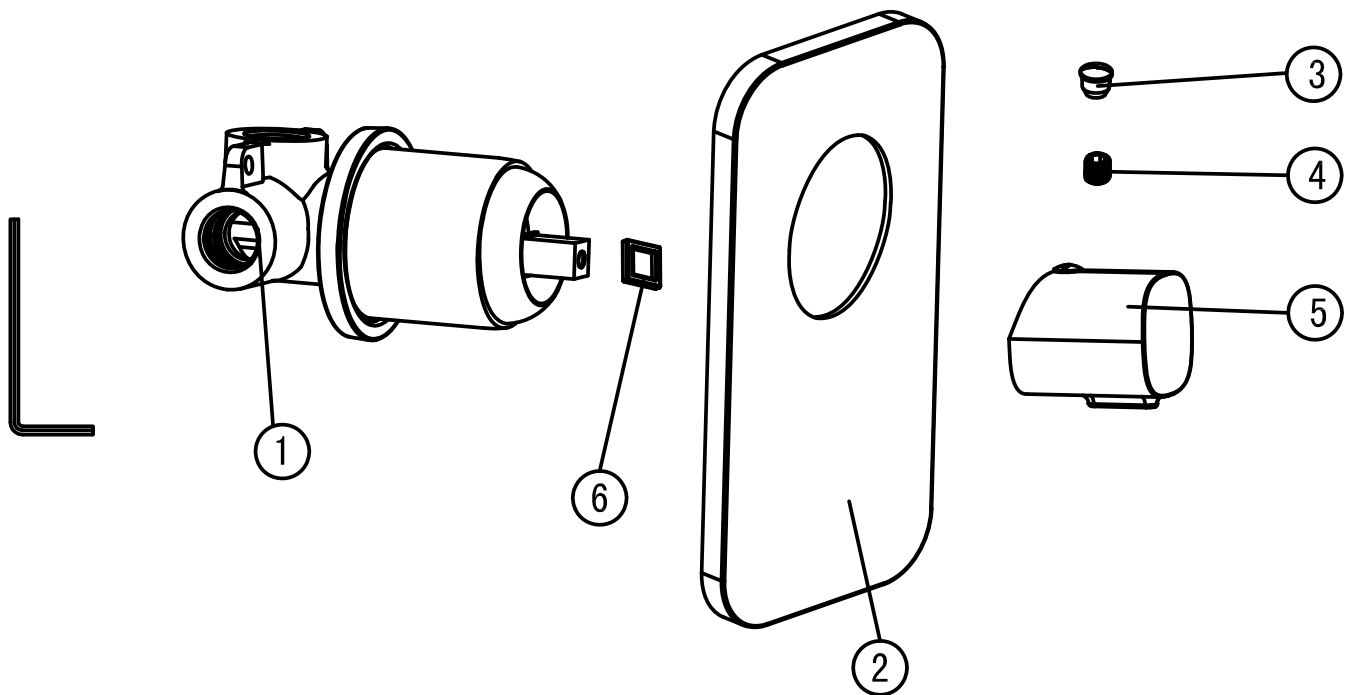


INSTALLATION INSTRUCTION SINGLE LEVER SHOWER MIXER



Code	The Accessory List	Quantity
1	Main body	1
2	Welding plate	1
3	Decorative button	1
4	Six angle screw	1
5	Handle	1
6	white plastic pad	1

