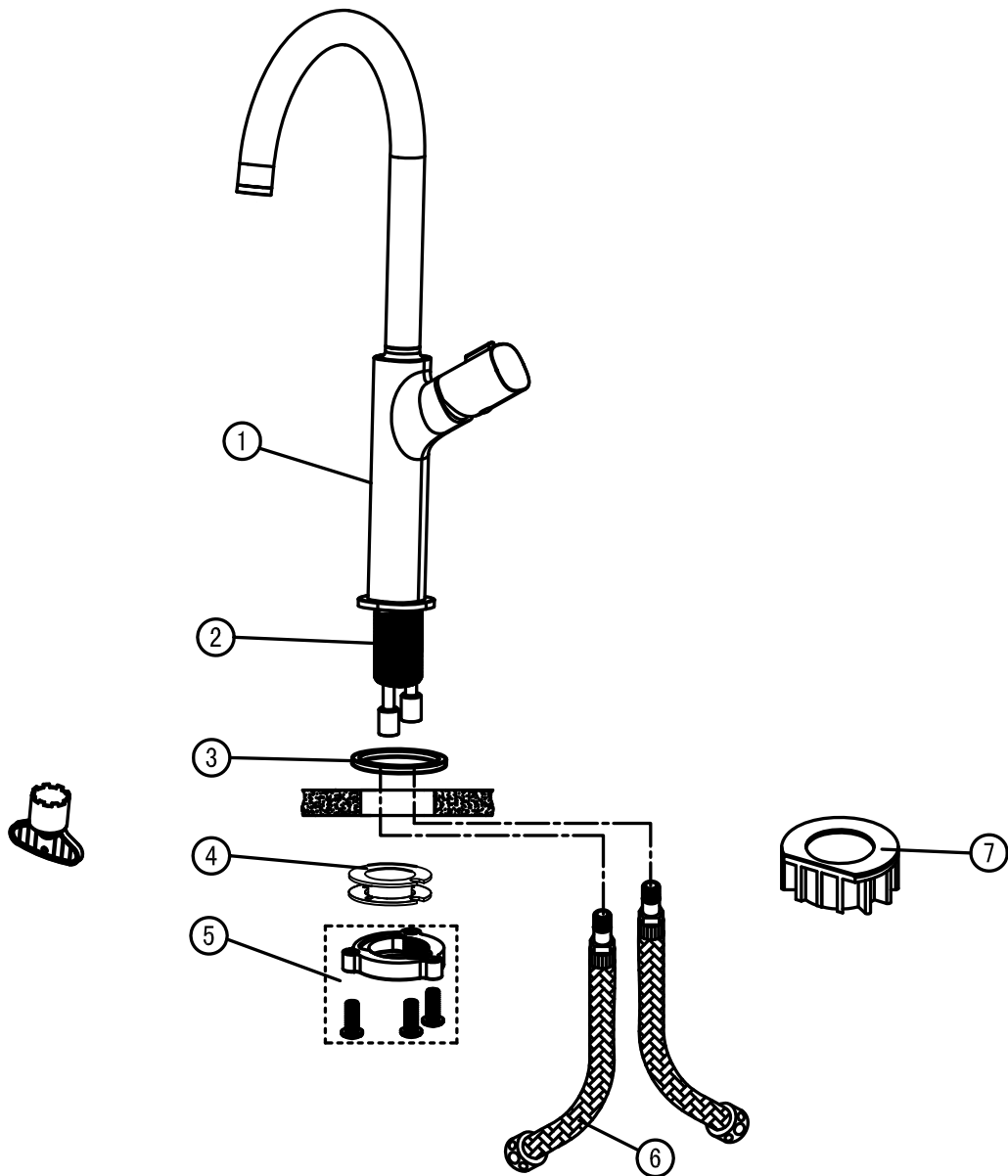


INSTALLATION INSTRUCTION SINGLE LEVER SINK MIXER



Code	The Accessory List	Quantity
1	Main body	1
2	Threaded sleeve	1
3	0-ring	1
4	Washer	1
5	Fixed nut	1
6	Inlet pipe	2
7	PLastic base	1

