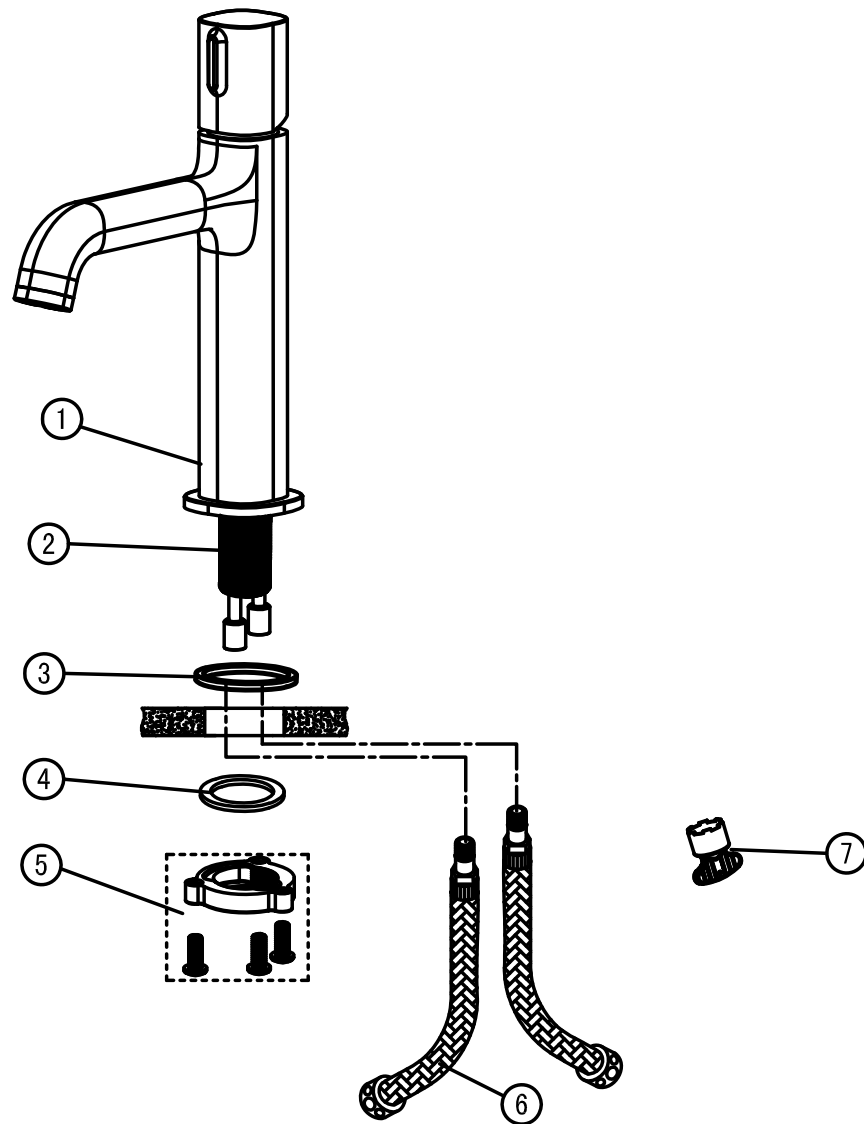


INSTALLATION INSTRUCTION SINGLE LEVER WASHBASIN MIXER



Code	The Accessory List	Quantity
1	Main body	1
2	Threaded sleeve	1
3	O-ring	1
4	Washer	1
5	Fixed nut	1
6	Inlet pipe	2
7	Aerator wrench	1

