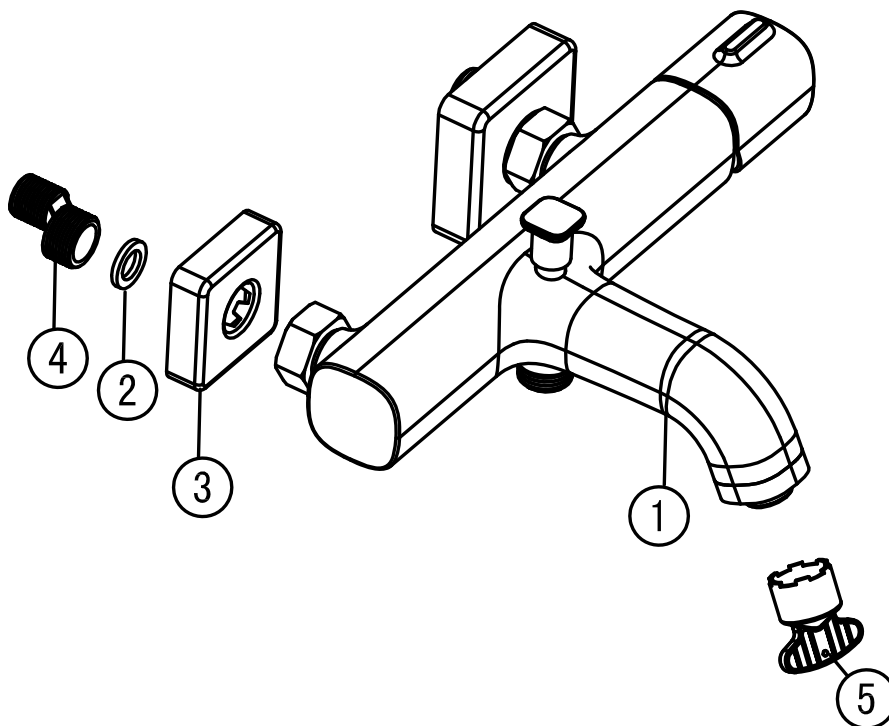


## INSTALLATION INSTRUCTION SINGLE LEVER BATH-SHOWER MIXER



Code	The Accessory List	Quantity
1	Main body	1
2	O-ring	2
3	Flange	2
4	Eccentric nut	2
5	Aerator wrench	1

