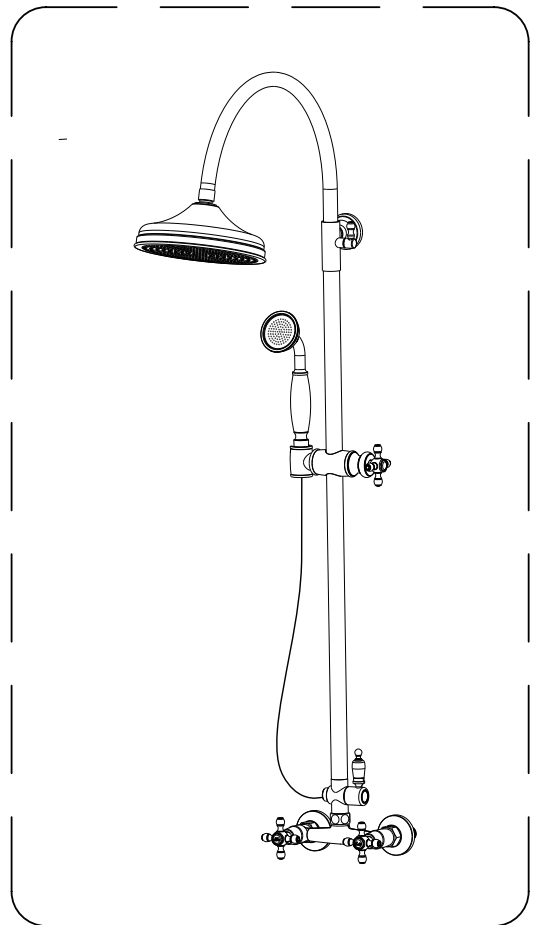
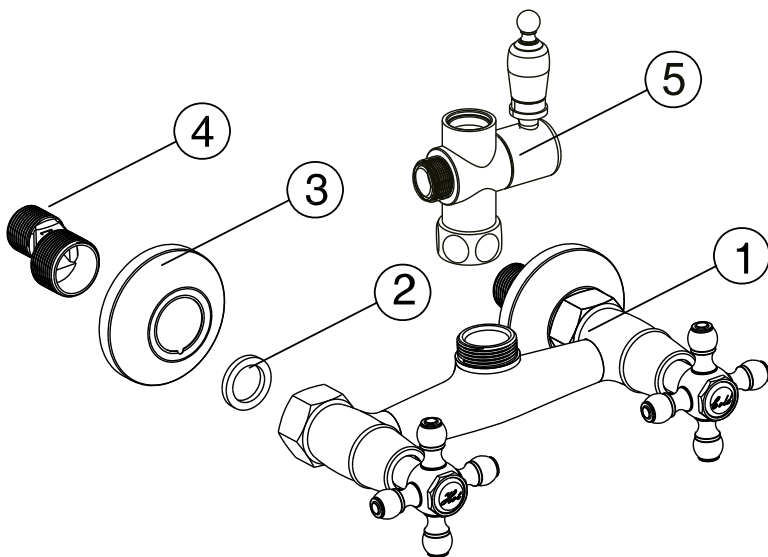


## INSTALLATION INSTRUCTION

### SINGLE LEVER BATH-SHOWER MIXER



Code	The Accessory List	Quantity
1	Main body	1
2	Flange	2
3	O-ring	2
4	Eccentric nut	2
5	Diverter Valve	1

