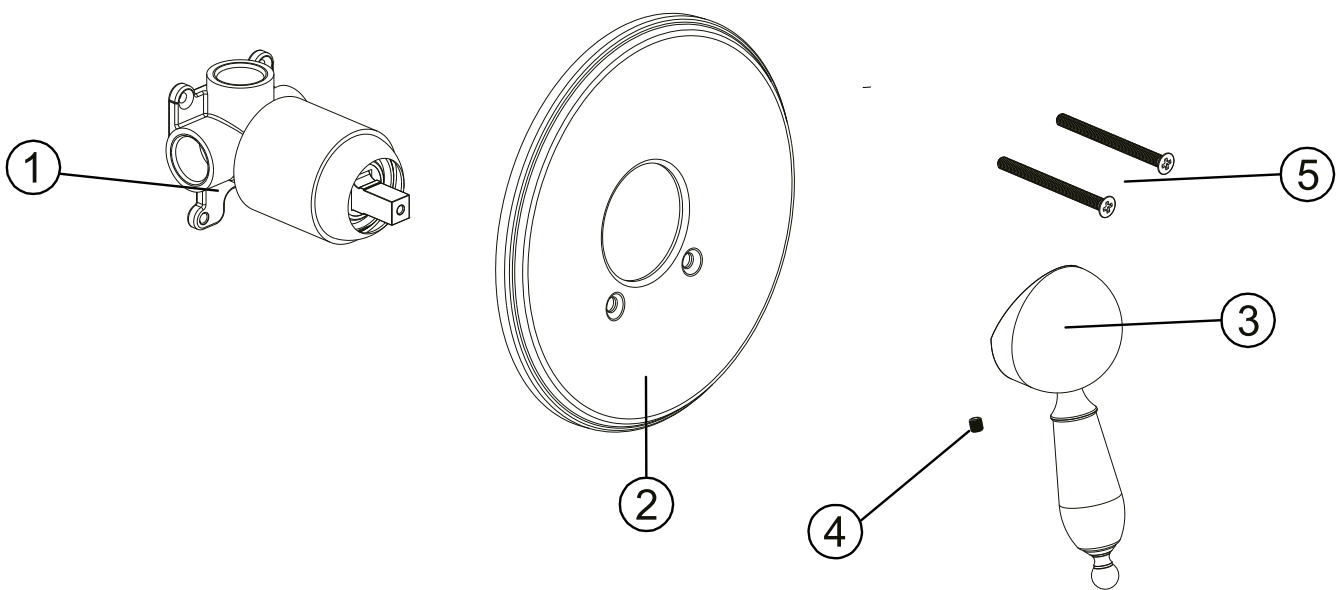


INSTALLATION INSTRUCTION SINGLE LEVER BATH-SHOWER MIXER



Code	The Accessory List	Quantity
1	Main body	1
2	plate	1
3	Handle	1
4	Hexagon screw	1
5	Screw	2

