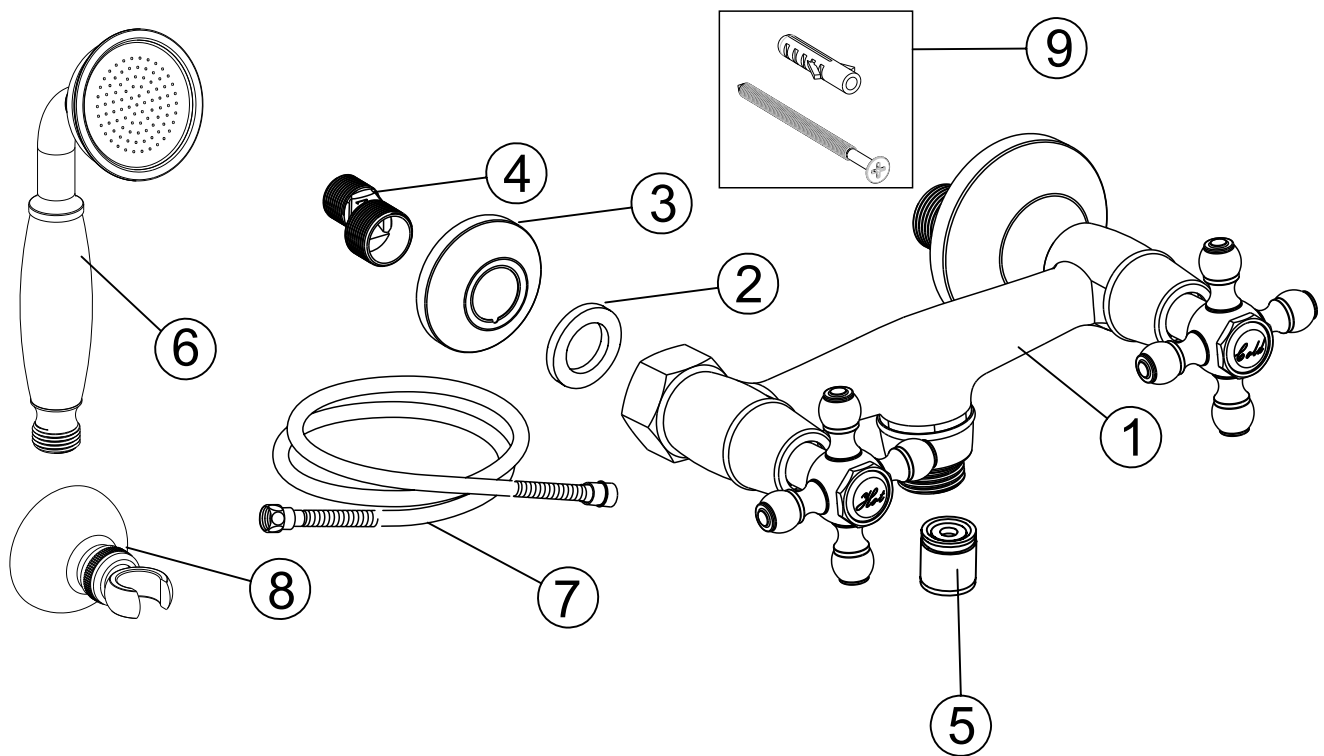


INSTALLATION INSTRUCTION SINGLE LEVER BATH-SHOWER MIXER



Code	The Accessory List	Quantity
1	Main body	1
2	Gasket	2
3	Flange	2
4	Eccentric nut	2
5	Check valve	1
6	Hand shower	1
7	Shower hose	1
8	Bracket	1
9	Screw for bracket	1

