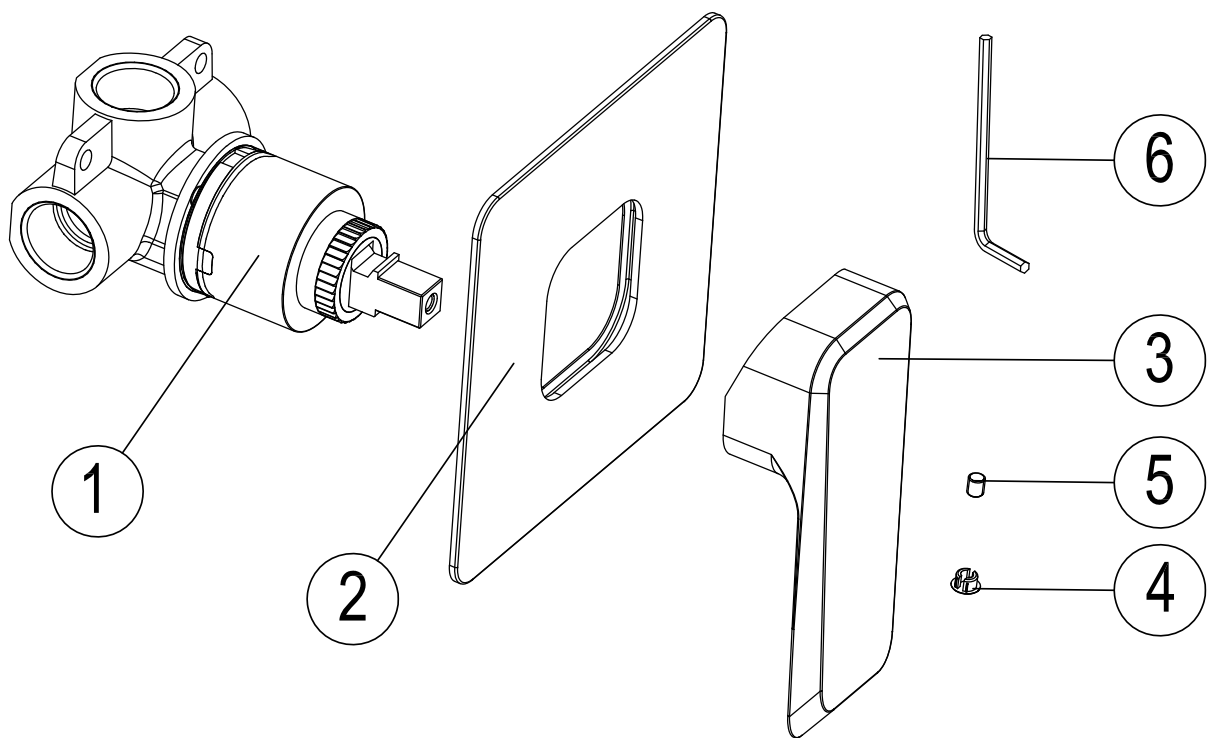


INSTALLATION INSTRUCTION

SINGLE LEVER CONCEALED SHOWER MIXER



Code	The Accessory List	Quantity
1	Main body	1
2	Welding plate	1
3	Handle	1
4	Decorative button	1
5	Screw	1
6	Allen key	1

