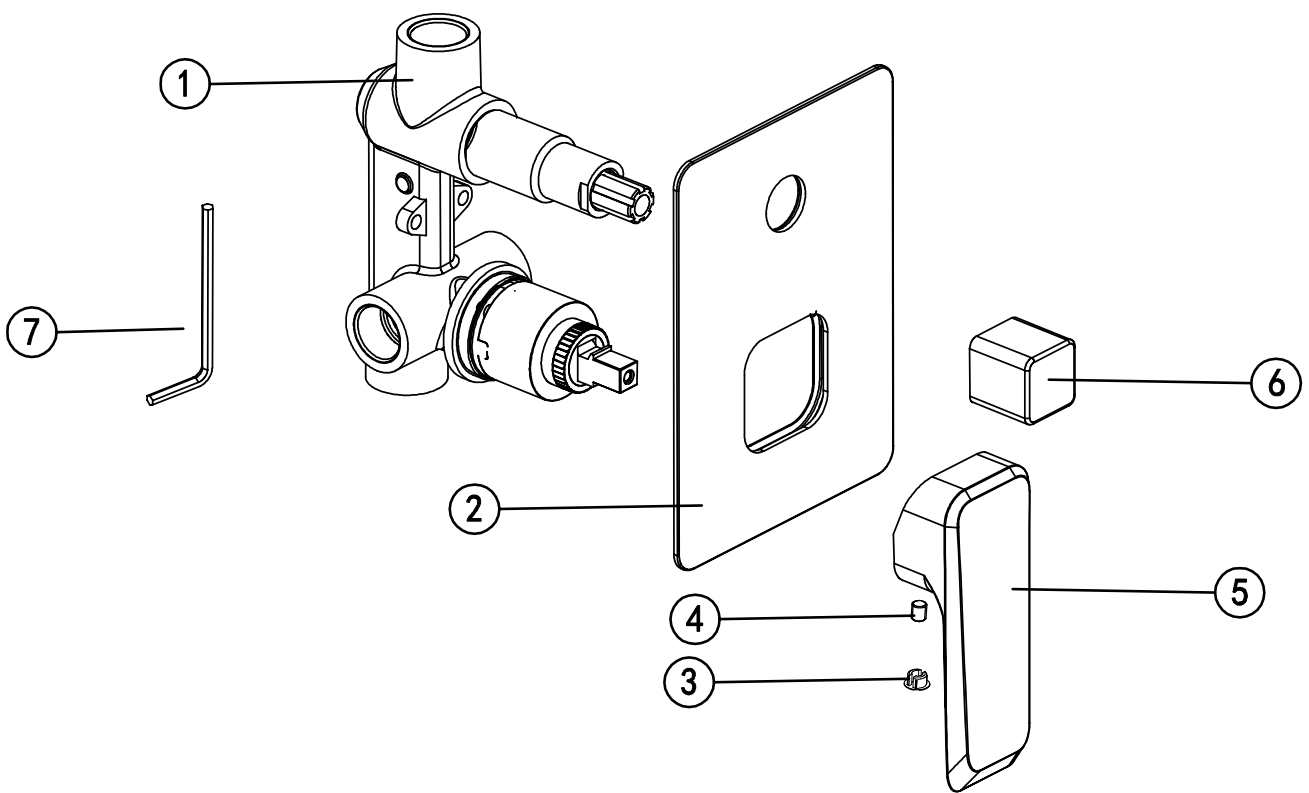


INSTALLATION INSTRUCTION

SINGLE LEVER BATH-SHOWER MIXER



Code	The Accessory List	Quantity
1	Main body	1
2	Welding plate	1
3	Decorative button	1
4	Allen screw	1
5	Handle	1
6	Knob	1
7	Allen key	1

