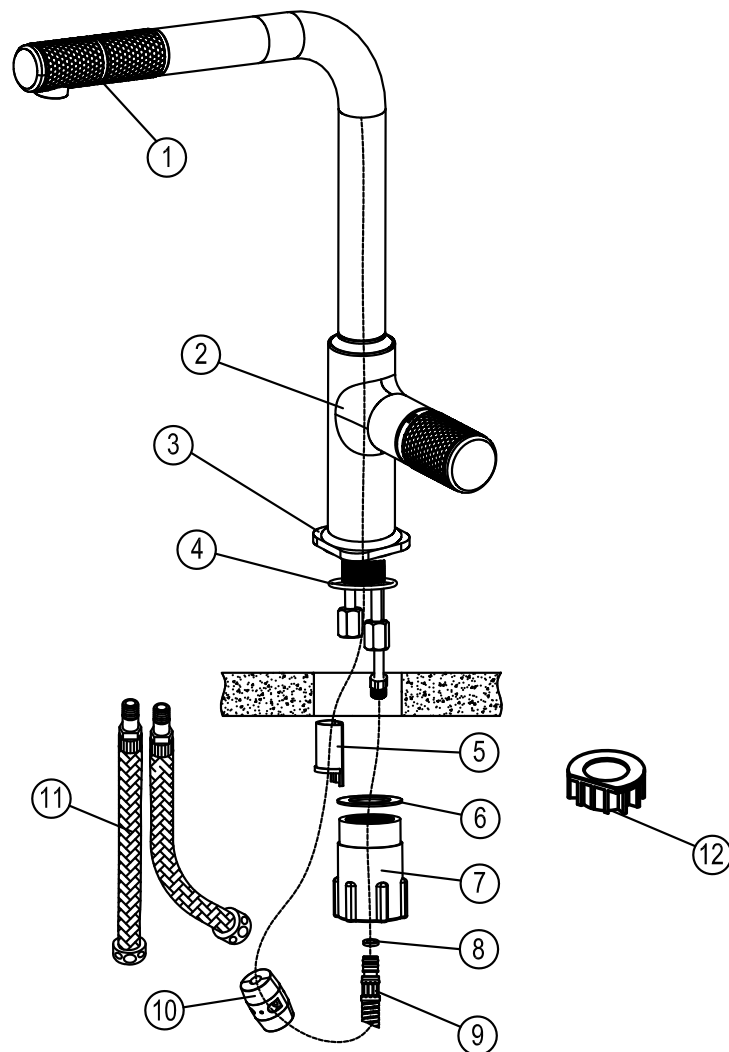


INSTALLATION INSTRUCTION SINGLE LEVER PULL-DOWN SINK MIXER



Code	The Accessory List	Quantity
1	Shower	1
2	Main body	1
3	Base	1
4	O-ring	1
5	Protective sleeve	1
6	Washer	1
7	Nut	1
8	O-ring	1
9	Pull-out hose	1
10	Weight	1
11	Inlet pipe	2
12	Plastic base	1

