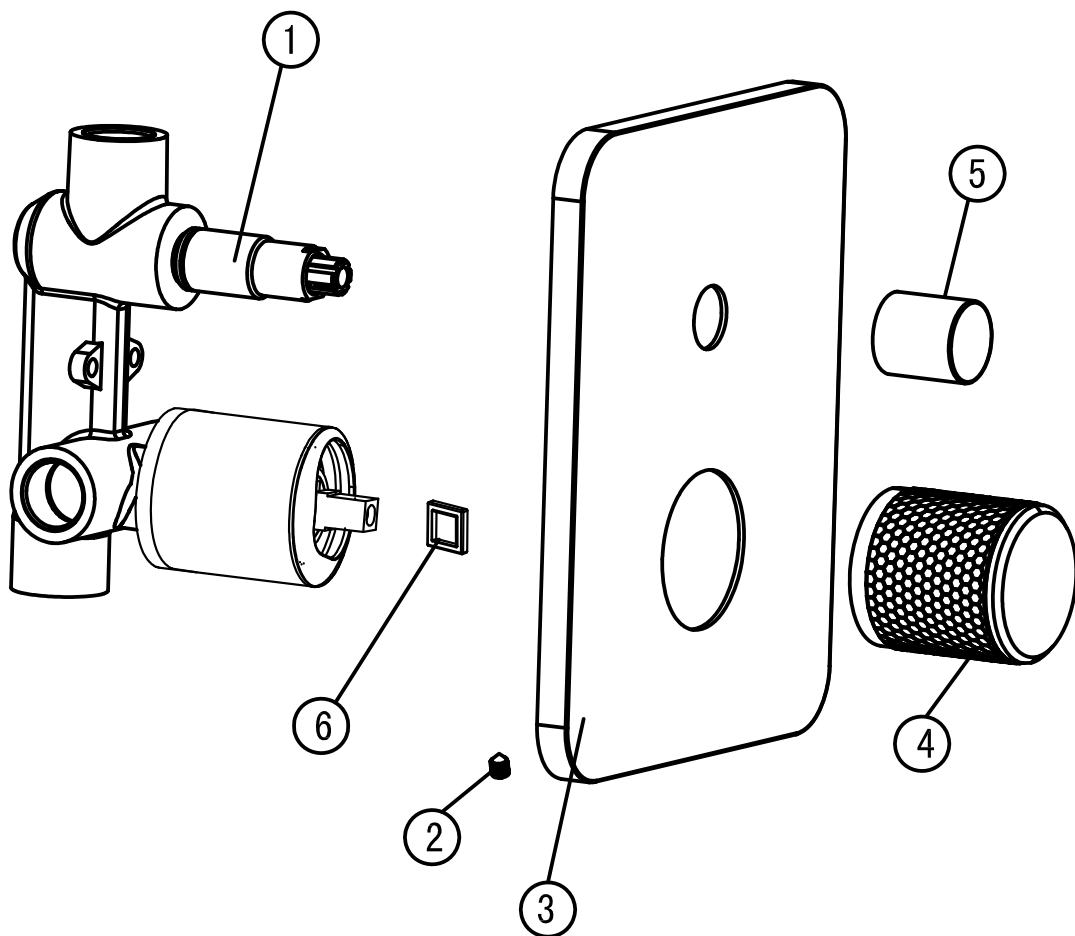


INSTALLATION INSTRUCTION SINGLE LEVER BATH-SHOWER MIXER



Code	The Accessory List	Quantity
1	Main body	1
2	Six angle screw	1
3	Welding plate	1
4	Handle	1
5	Knob	1
6	white plastic pad	1

