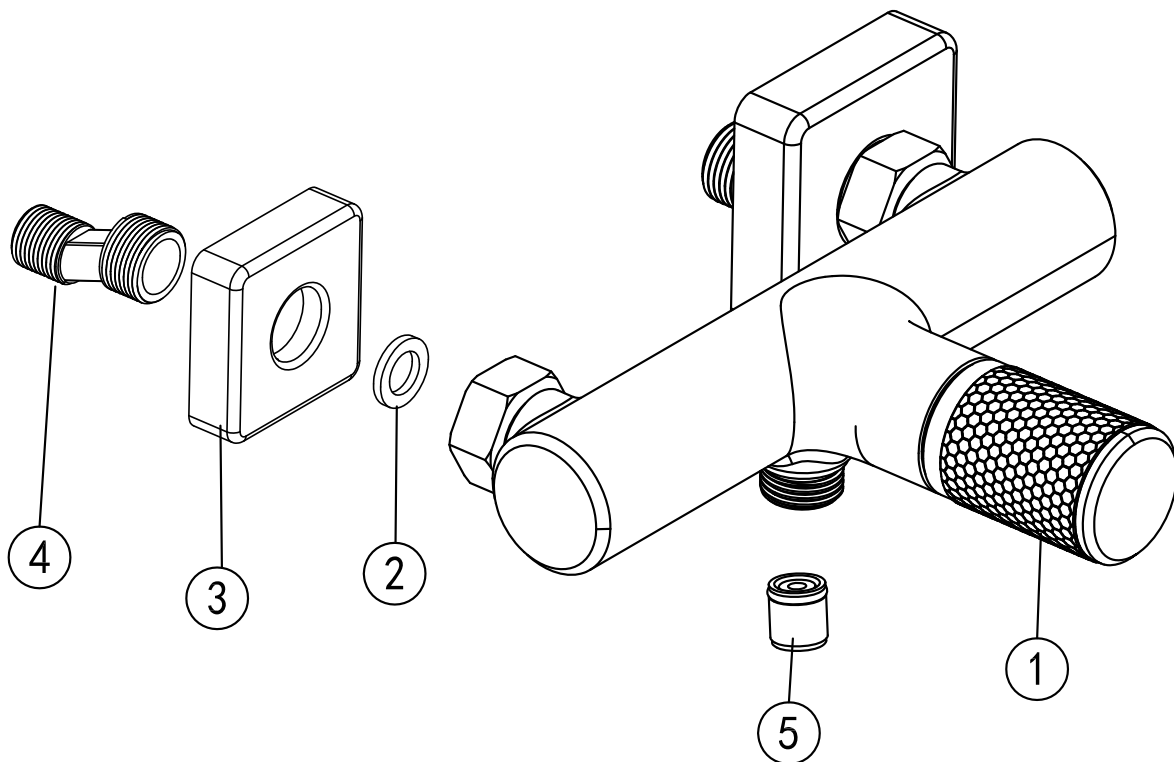


INSTALLATION INSTRUCTION SINGLE LEVER SHOWER MIXER



Code	The Accessory List	Quantity
1	Main body	1
2	O-ring	2
3	Flange	2
4	Eccentric nut	2
5	Check valve	1

