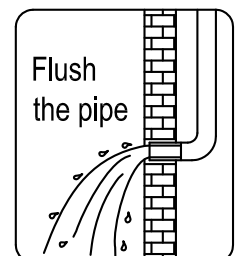
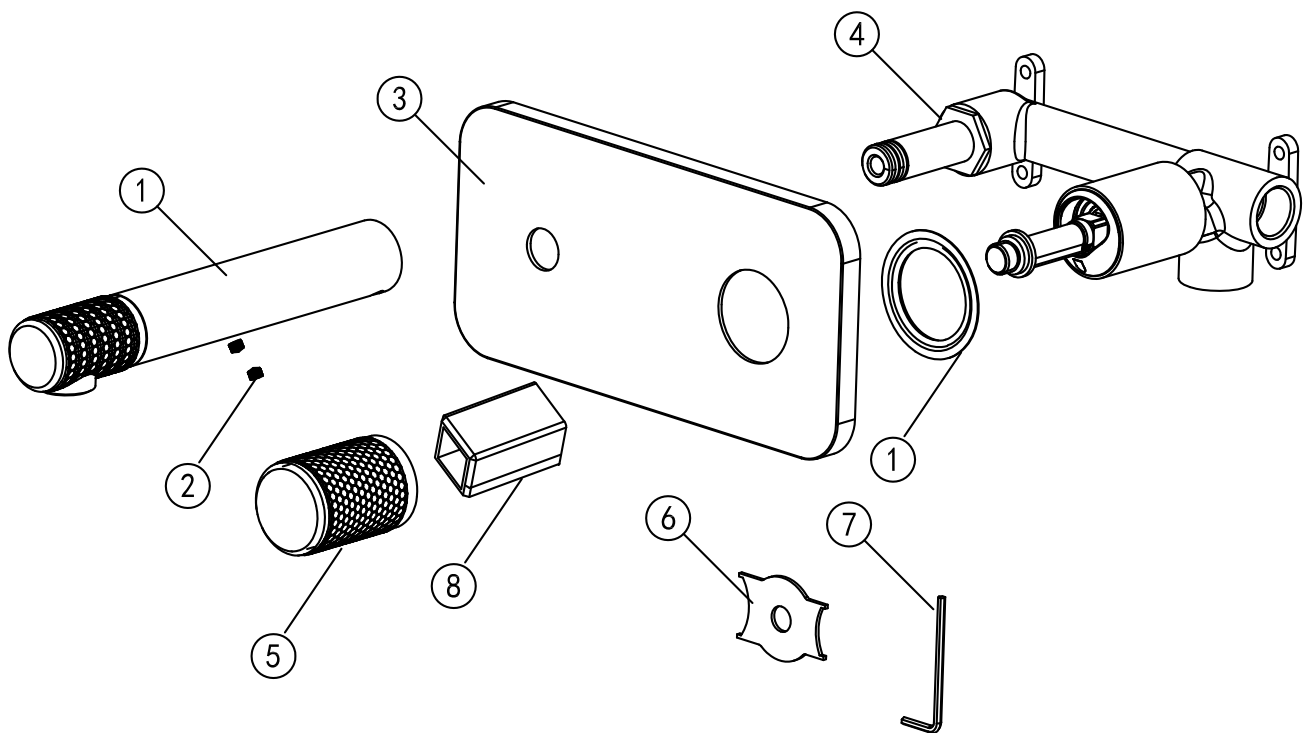


INSTALLATION INSTRUCTION SINGLE LEVER CONCEALED WASHBASIN MIXER



Code	The Accessory List	Quantity	Code	The Accessory List	Quantity
1	Spout	1	5	Handle	1
2	Screw	2	6	Aerator wrench	1
3	Welding plate	1	7	Allen key	1
4	Main body	1	8	Plastic Cap	1

