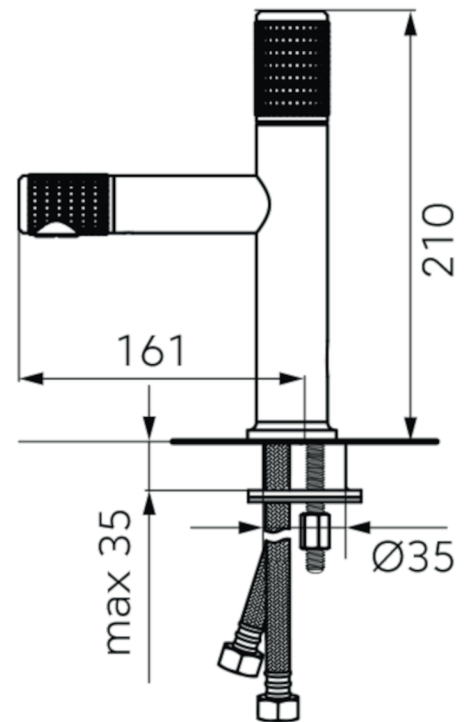
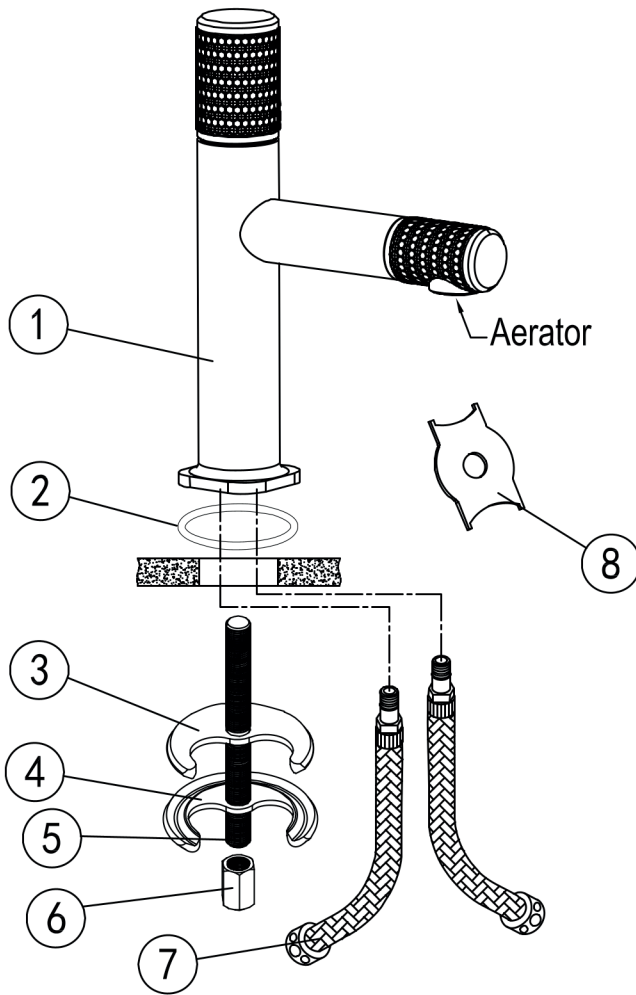


DESIGN

ARDESIA



Code	The Accessory List	Quantity
1	Main body	1
2	O-ring	1
3	Rubber washer	1
4	Clamp	1
5	Fixing bolt	1
6	Nut	1
7	Inlet pipe	2
8	Aerator wrench	1

